

# Evolv Express<sup>®</sup>

**The days of asking fans and employees to place their phones and bags in containers handled by your security guards are over.**

Physical security screening procedures that rely on metal detectors, hand wands, and invasive bag checks are too slow and manual, resulting in unsafe crowding and physical contact that can be dangerous in our post-pandemic world. Security leaders at venues and facilities realize it's time for a fundamentally new approach to screening.

## Introducing Evolv Express<sup>®</sup>

Evolv Express is the world's first and only touchless security screening solution that leverages patented sensor technology and artificial intelligence to distinguish weapons from harmless personal items, all while guests simply walk through at a natural pace. Visitors, fans, patrons, employees, and students no longer need to wait in long lines or stop and hand over their bags and personal items. And, with available cloud-based analytics and seamless integrations to other venue solutions, Evolv Express equips your operations teams with new insights and improved security solutions to elevate the visitor experience.

### Leverage AI to instantly differentiate personal items from concealed threats.

Unlike traditional metal detectors, Express is powered by a combination of high-speed sensors and proprietary AI software to identify threats in real-time without requiring visitors to stop, empty pockets, and remove bags. It can tell the difference between everyday items (cell phone, keys, and coins) and a weapon, creating a frictionless experience for visitors and employees while keeping facilities safe from long entrance queues and unwanted threats such as mass shootings and terrorist attacks. It also reduces the potential health risks associated with unnecessary

### Elevate Physical Security with Today's Technology

When a potential threat is detected, real-time image-aided alarms show guards precisely where the potential threat is located on a person or in his or her bag. This means most guests can simply walk right through, and guards need only focus on a limited number of visitors to swiftly and efficiently resolve potential threats. Requests for additional guard assistance are easily and discreetly sent to designated security team members, supervisors, or adjacent teams via text message and email. And, leveraging cloud-based connectivity, security and operations teams can gain new insights into visitor arrival metrics and alarm rates to improve the venue's security posture moving forward.



## Only Evolv Express<sup>®</sup>



**Fast, Efficient Threat Screening:** Screens 3,600 people per hour, 10 times faster than metal detectors, for a line-free security experience.



**Respectful and Touchless Experience:** No stopping. No emptying pockets or removing bags.



**Easy to Operate:** See in real-time where the potential threat is on a person's body or in their bag, focusing your team's effort only on potential threats.



**Flexible Deployment Options:** For both indoor and outdoor screening. Easy to set up and move.



**Integration & Analytics:** Integrate into your broader security infrastructure and use Evolv Insights™ to monitor entrant numbers and alarm rates.



“

*We knew our former security screening process would provide challenges in the pandemic environment,” said Jason White, managing director of corporate safety and security at Hershey Entertainment and Resorts. “We’d already been evaluating how we could improve on our guest screening process and had piloted Evolv Express last fall because the system could accommodate thousands of people an hour in a frictionless, no-stop flow. As we began formulating the security screening aspect of our pandemic reopening strategy, it was clear that Evolv Express was the best solution that could meet our requirements. Our guests and security staff have been pleasantly surprised at the speed of the touchless screening experience that largely eliminates manual bag checks. The responsive customer support and working relationship we have with the Evolv team is just as phenomenal as their product.*

## Bringing Touchless Security Screening to Companies Worldwide for a Safe and Welcoming Experience

Customers across a variety of industries are now implementing touchless security screening with Evolv Express to emerge from pandemic shutdowns with confidence and optimism. Outdoor entertainment venues were early adopters as they rolled out new pandemic-aware safety and security processes designed to both attract and protect their crucial seasonal guests.



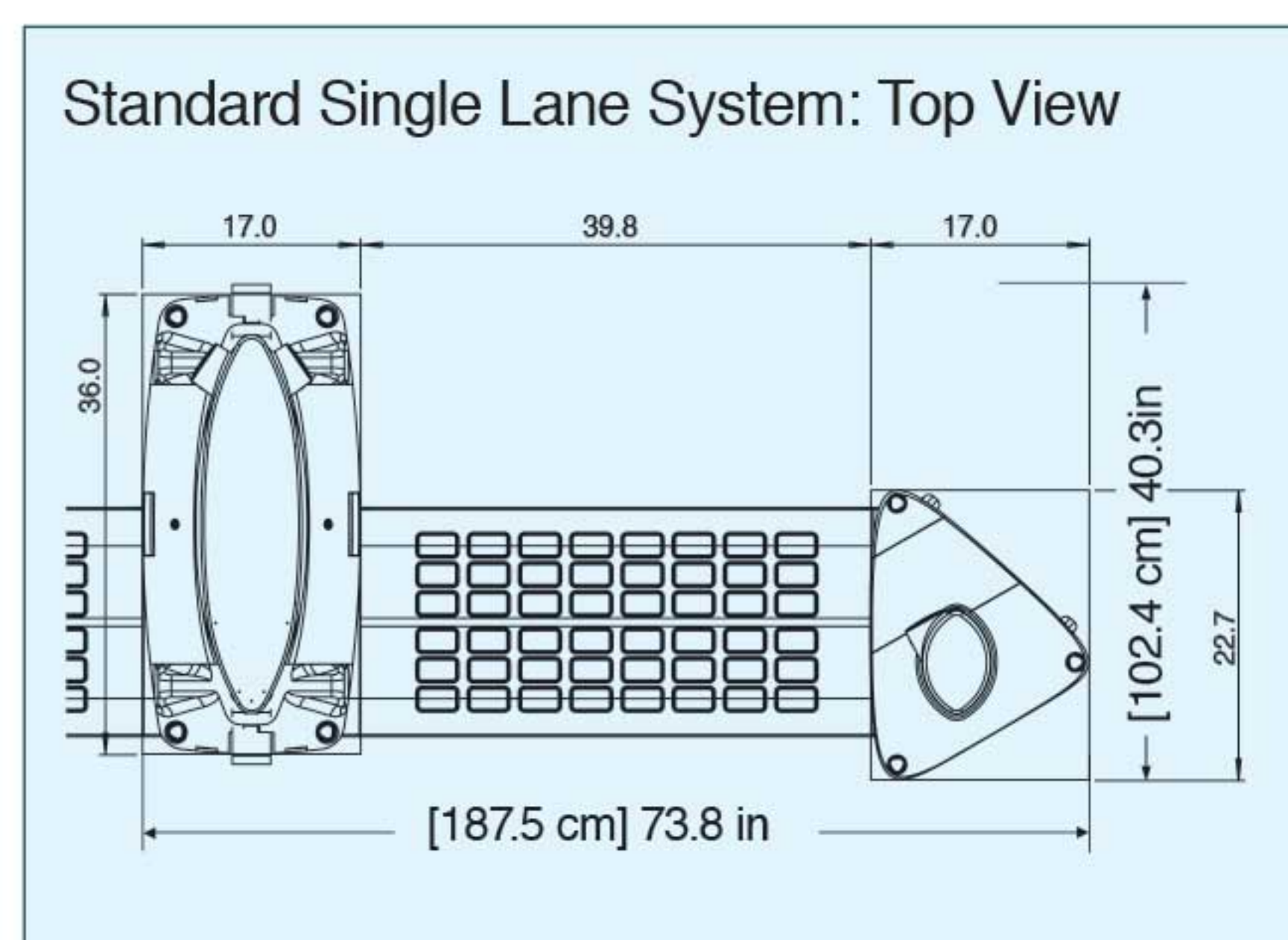
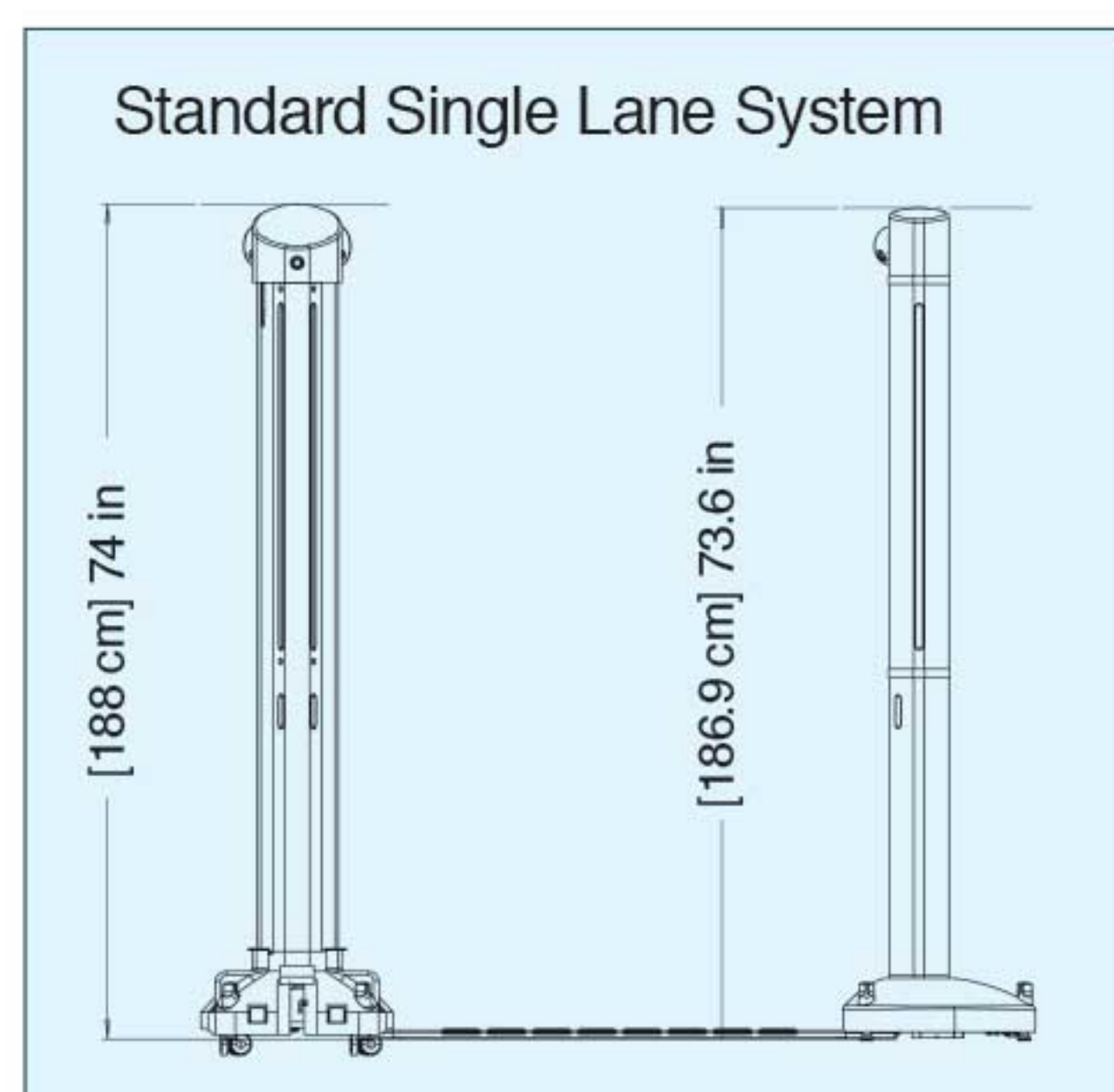
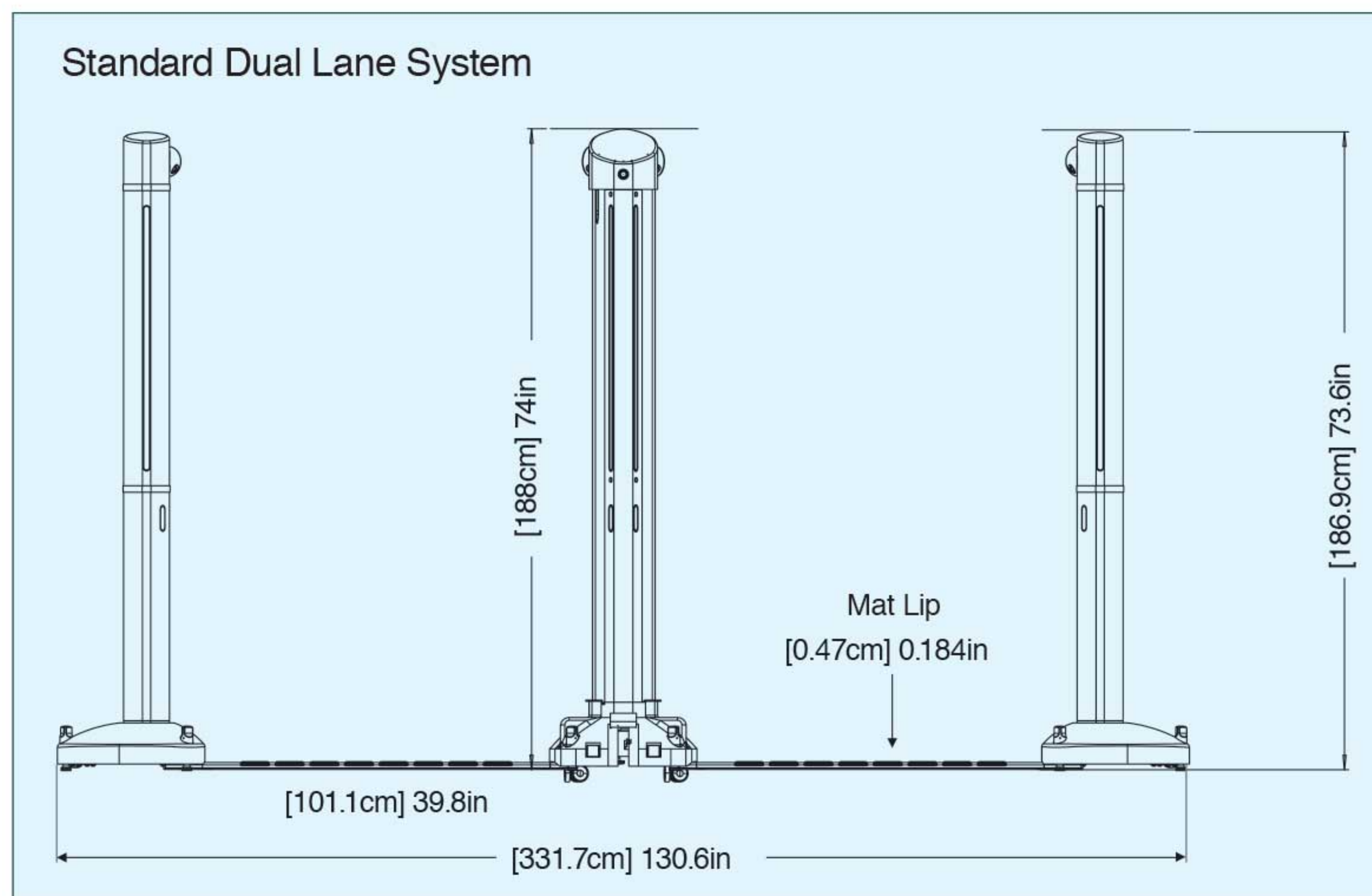
## About Evolv Technology

Founded in 2013, Evolv Technology is the leader in human security solving the security screening problems of today with the most innovative technology and thinking. Evolv makes it possible for venues of all kinds to keep visitors and employees safe from concealed weapons, pandemic health threats and intruders. The company's Evolv Express has earned industry accolades that include the 2021 Artificial Intelligence Product Excellence Award, 2020 Edison Awards™, 2020 Campus Safety BEST Award and two Secure Campus 2020 Awards.



## Specification Sheet

# Evolv Express®



Note: Evolv Express® must not be sprayed with high- or low-pressure water or liquid; doing so could damage the system and will void the warranty. All dimensions are +/- 1 cm.

## Why Evolv

- Evolv Express® is the world's first and only touchless security screening solution that meets all of the post-pandemic security screening requirements
- Only Express can screen more than 3,600 people per hour, eliminating the long lines of legacy weapons screening such as metal detectors, wands, and pat downs, transforming human security
- With Express, no stopping is required, no emptying pockets or removing bags - people simply walk through this touchless security screening system
- Evolv has screened more than 60M people
- Evolv's products are in use worldwide at industrial workplaces, corporate offices, sports stadiums and arenas, entertainment and hospitality venues, government facilities, hospitals, schools, airports, security forces, critical infrastructure and places of worship

## Environmental Specifications

Operating Temperature:	Min: -20C, Max: +55C
Storage Temperature:	Min: -40C, Max: +70C
Relative Humidity:	Up to 95%
Ingress Rating:	Standard IP54 Outdoor IP56*

\* Outdoor rated unit is Condensing

\*\* Power and data connectors are IP67, resisting water ingress up to 6"

## Physical Specifications

Dimensions	Depth	40.3in (102.4cm)
	Width	Dual Lane: 130.6in (331.7cm) Single Lane: 73.8in (187.5cm)
	Height	74in (188cm)
	Weight	Dual Lane: 352 lbs (159.7kg) Single Lane: 281 lbs (127.5kg)
	Mat Lip	0.184in (0.47cm)
	Mat Height	0.89in (2.3cm)
Lane Opening	Width	Each 39.8in (101.1cm)
Power	Voltage	100VAC - 240VAC (+/-10%)
	Phase	Single Phase
Consumption	Typical	200W max power consumption
Input/Output:		Line Cord USB 2.0 (service access only) Ethernet (RJ45) for Tablet

## Wired or Wireless User Interface Tablets

Tablet Options	<ul style="list-style-type: none"> <li>• Choose from wired or wireless tablets</li> <li>• 2 per lane included, with 1 Floor and 1 Desktop Stand</li> <li>• Up to 3 tablets may be used per lane</li> </ul>
Wired Tablet Specifications	<ul style="list-style-type: none"> <li>• 15.6 inch Tablet (39.6 cm)</li> <li>• Outdoor 14 inch option ruggedized for weather protection and sunlight</li> </ul>
Wireless Tablet Specifications	<ul style="list-style-type: none"> <li>• 14 inch Tablet ruggedized for outdoor use</li> <li>• With two (2) 90W Batteries on back panel</li> <li>• AC/ DC Power Adapter (19V, 3.42A, 65W) with Power Cord AC/DC for use without battery power</li> </ul>
Available Wireless Tablet Accessories	<ul style="list-style-type: none"> <li>• Extra 90W Batteries</li> <li>• Battery Gang Charger (6 Battery Packs)</li> <li>• Single Bay Battery Charger with Adapter</li> </ul>

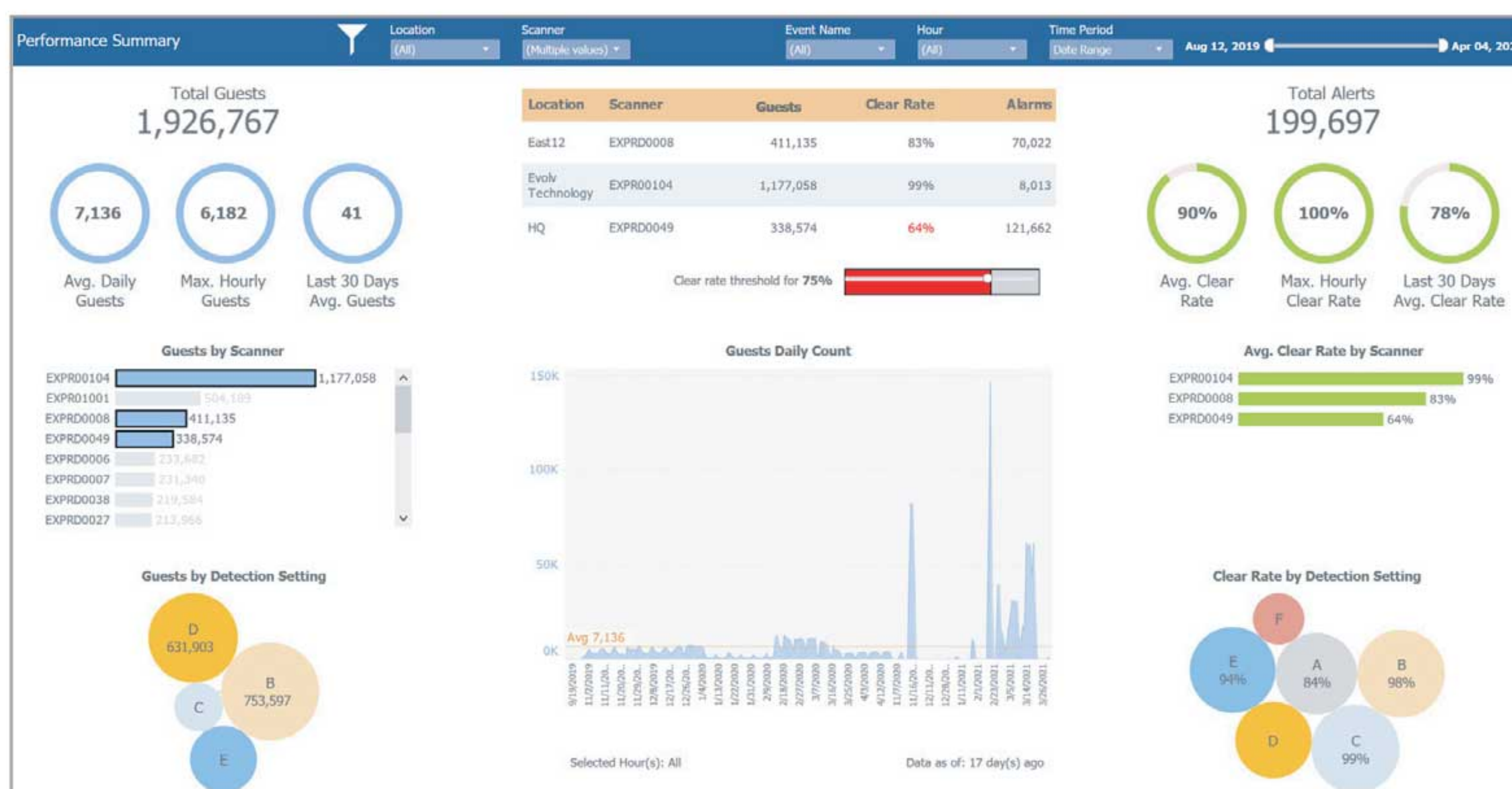


## Specification Sheet

# Evolv Express® Software



User home screen shows connectivity, system configuration, scanner statistics, notifications, one-touch request assistance, battery life indicator, and more.



Evolv Insights analytics portal provides visitor arrival curves and alarm rates by date, location, and event type to support staffing decisions for more secure and efficient venue operations.

## Evolv Express Software Features

Receive Visual Alerts	Guards can easily detect where on the person or bag a potential threat is detected
Tag Threats and Benign Objects	Easily tag the threat or benign object detected for use in future venue analytics
Configurable Detection Settings	Set detection level for the system, choosing from a range of sensitivity levels
Flexible Lane Deployment	Choose 1- or 2-lane deployment, and see options displayed on User home page
Available Integrations	Easily tag the threat or benign object detected for use in future venue analytics
Available Analytics Portal	<ul style="list-style-type: none"> <li>View visitor analytics and alarm rate data by date, time, scanner, and location</li> <li>Improve security staffing and venue resource planning by analyzing past metrics</li> <li>Configure integrations with adjacent venue security technologies</li> </ul>
Request Assistance	User discreetly sends a SMS text or email, to designated staff—requesting help to resolve a security incident, reduce a crowd, or address another need.

\* Camera ports are isolated from Express internal and external networks

## Other Specifications: Hardware and Software

Health & Safety	<ul style="list-style-type: none"> <li>FCC CFR Part 15, CE Mark (CE Directives and Standards)</li> <li>Global CB Scheme per CBTL Safety Standard</li> <li>UL 61010, EN 61010 and IEC 61010</li> <li>U.S. Americans with Disabilities Act Compliant Access</li> </ul>
Optional Accessories & Add-Ons	<ul style="list-style-type: none"> <li>Up to 2 Additional Wired or Wireless Tablets with Floor or Desktop Stand</li> <li>Thermal Imaging Package</li> <li>Custom Panel Graphics</li> <li>Operational Test Kit</li> </ul>

\*\* Not available outside of the US